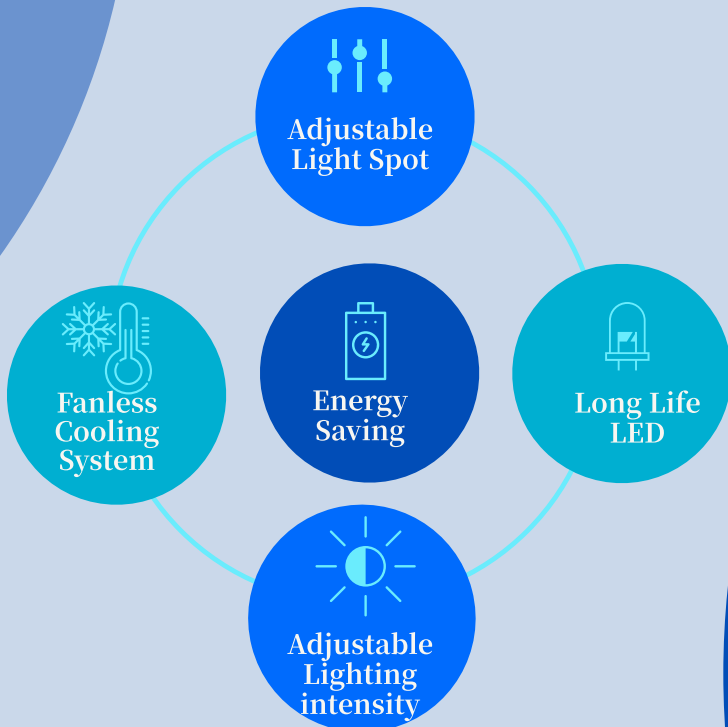
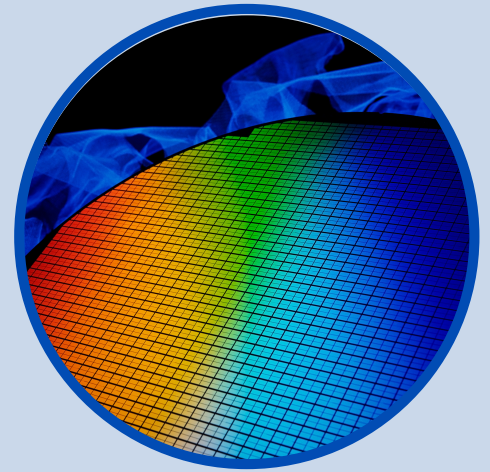


## HEMERA E305 Surface Inspection LED Light Source

YODN Hemera E305 is a LED light source specially designed for clean room inspection. Hemera E305 adopts imported high current density LED, combined with the design of fanless heat sink, and high-efficiency optical lens to effectively reduce the interference of stray light, provide users with a uniform and high-brightness light source for visual inspection, and improve work efficiency. The simple and industrial design can supply the light source, and at the same time, it can be firmly installed on the work table of precision equipment, and it is perfectly integrated into the production equipment.

The separate adjustable light output and power switch design make the configuration more flexible and suitable for various occasions. In addition, the customized bracket design makes it easier to install in the equipment.



### Features and Benefits

1. The heat dissipation design of the fanless light source not only provides the heat dissipation required for the light source, but also takes into account the environmental requirements of the clean room, and at the same time prevents the possibility of vibration.
2. Miniaturized optical design, providing a uniform light spot to improve production efficiency, and the size of the light spot can be adjusted according to actual needs.
3. Adjustable lighting intensity can effectively increase the usage time and performance of the product.
4. The life of the LED light source is as long as 30,000 hours, which is long-term and stable, which can reduce the cost of equipment maintenance and replacement of light bulbs.

### CONTACT US

YODN Lighting Corp.  
 6F, No. 1, Creation Rd. II, Science-Based  
 Industrial Park, Hsin-chu City, 30077 Taiwan  
 TEL: +886-3-563-7218  
 FAX: +886-3-579-4581  
 Email: sales@yodnlighting.com

## HEMERAR E305 ○○○

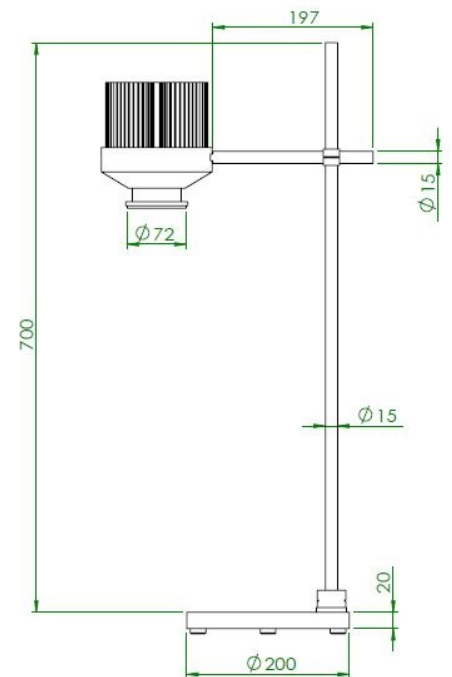
### Surface Inspection LED Light Source

### Specification

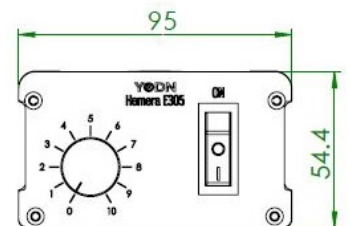
- Light source: LED
  - Color temperature: Approx.3000K
  - Maximum light output: 40000 lux (measurement distance 700mm)
  - Light uniformity: more than 65% (measurement distance 700mm)
  - Heat dissipation type: fanless natural heat dissipation system
  - Environmental conditions for system operation:
    - Ambient temperature: 0~35°C
    - Ambient humidity: 15~85% (no frost)
  - Electric power: power adapter input: AC 100-240V, 50/60 Hz, 60W
  - Weight:
    - Light source Approx. 1.5 kg
    - Stand Approx. 3.5 kg
    - Power controller Approx. 0.5 kg (except AC Adapter)
  - LED life: 30000 hours
- (The recommended life of LED is not an absolute value and is affected by the ambient temperature, the value is not a warranty)

### Dimension(mm)

#### Light Source And Stand



#### Controller



WeChat



Official  
Web site



Facebook

Ver. 2023.06.21