



Introducing the new generation of light box, Hyper E640.

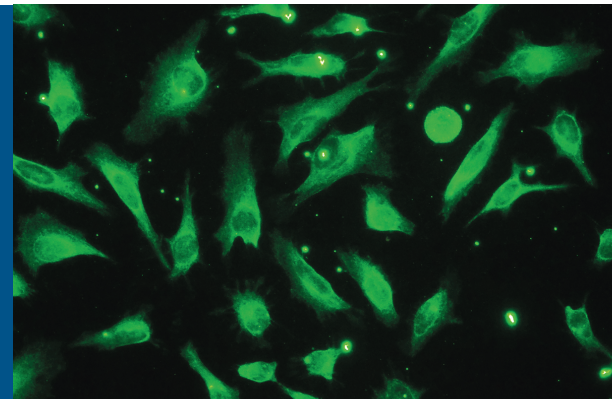


YODN Hyper E640 illuminator is a brand new light source specially mad for fluorecence microscopes. Our illuminator equips the best LED light engine, produces spectrums that can fulfill most research lighting demands with its broadband spectrums design methodology. It helps you conduct your works easily in an energy efficient way. It produces spectrums from 350nm to 650nm by latest Red light LED enhacemet technology, a true broadband illuminator than can support different fluorecence excitation, such as DAPI,GFP/FITC, mCherry/Texas Red, Cy5 (Optional Cy7). Besides, the LED long life characteristic makes you never worry about the bulb replacement.

YODN Hyper E640 is the best choice for fluorecence microscope researches.

Hyper E640

Broadband Excitation Illuminator for Fluorecence Microscope



Features

Benefits

LED Light source	Eco-friendly design, long file, instant on/off, stable light output.
Broadband spectrum	Broadband spectrum (350nm~700nm), sufficient to use in all research occasions related to fluorecence, such as DAPI, GFP/FITC, Mcherry/Texas Red, and Cy5 excitation(Optional Cy7)
Simple operation	Use smart control pod or remote control (TTL) to switch your LED intensity/channel easily.
Low photo-beaching rate	LED cold light used : increase the fluorecence cell sample survival rate.
Custom thermal system for LED light engine	Control the light engine/illuminator at the best operation temperature and performance.
Support digital control	Manual control or auto program operation(USB/TTL)

Hyper E640

www.yodnlighting.com

Hyper E640

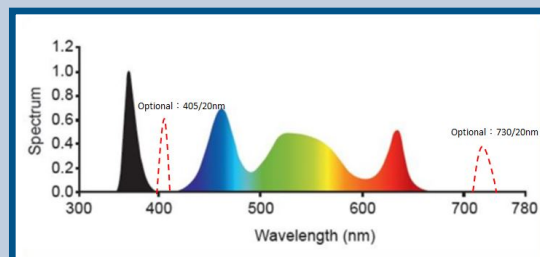
Broadband Excitation Illuminator for Fluorescence Microscope



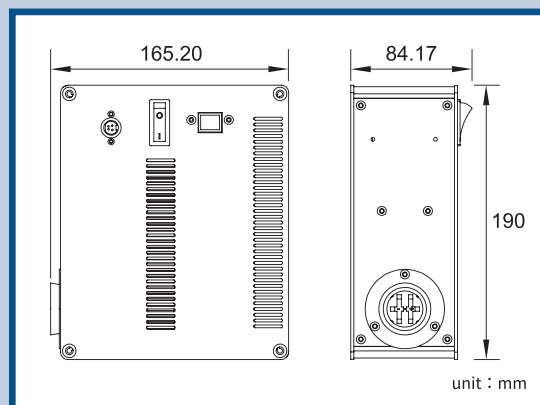
Specification

Wavelength range	350~650 nm
LED peaks/FWHM	365/20 nm, 460/40 nm, 560/80 nm, 630/20 nm (Optional: 405/20 nm, 730/20 nm)*
External power supply	Universal input 100-240VAC, 50/60 Hz
Power consumption	75 W
LED on/off response times	20 ms
LED expected life	25000 hours
Control pad	ON/OFF ; LED intensity control 10% - 100%
Dimensions (mm)	Illuminator:165*190*84 Control pad:113*80.5*43 Power adapter:72*175*35
Weight	Approx. 2.7kg (including power adapter, control pad)
Warranty	illuminator:24 months
Standard configuration	illuminator, control pad adaptor (choose one) integrated power supply.
Optional	1.5M long, 3mm LLG/Attachment, collimators
Certifications	CE (TBA)

Spectrum



Dimensions



*365nm can be changed to 405nm ; 630nm can be changed to 730nm ; made by order.

Configuration & Accessories Illustration

YODN Lighting Corp.

6F, No. 1, Creation Rd. II, Science-Based Industrial Park, Hsin-chu City, 30077 Taiwan
 TEL: +886-3-563-7218
 FAX: +886-3-579-4581
 Email: sales@yodnlighting.com



YODN Official Web



YODN WeChat



YODN Facebook