

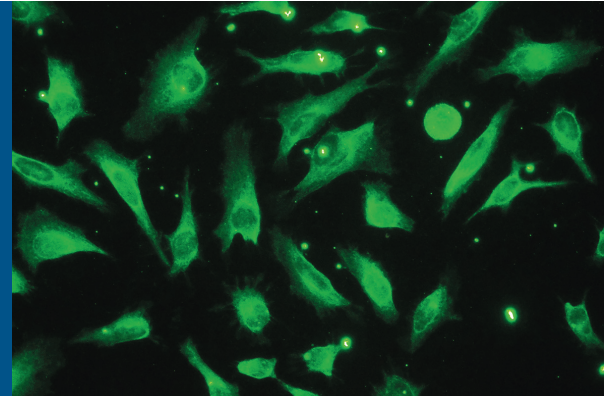


YODN Hyper S330 Illuminator is a brand new design light source specifically made for fluorescence microscopes. Adapts the proprietary design 130-watt metal halide lamp, the Hyper S330 delivers wide wavelength excitation energy while maintaining more than 3,000 usage hours*; it's simply a powerful light source yet an affordable selection. The illuminator equips with a pre-aligned lamp offers precise and consistent light output without the hassle of lamp adjustment. It features an adjustable iris which allows the users to set multiple light output that fits all research occasions.

Hyper S330 is an ideal illuminator that can perfectly be operated with all major fluorescence microscope brands.

Hyper S330

Wide-Field Excitation Illuminator for Fluorescence Microscope



Features

Benefits

Metal Halide Lamp w/ reflector	A powerful light source: 130 W Metal Halide Lamp w/ reflector offers sufficient power in all research occasions
Pre-aligned lamp	Easy maintenance; saves time on lamp replacement
Extra long-life lamp	Low maintenance fee (Traditional Hg Lamp vs. YODN S series metal halide Lamp – 200 hours vs 3,000 hours lamp life)
Low photobleaching rate	Increase the fluorescence cell sample survival rate
Full wavelength	Ideal for all fluorescence excitation
Rear light guide pool designed for scientific research	The new design is more in line with the research situation and easy to operate

Hyper S330

Hyper S330

Wide-Field Excitation Illuminator for Fluorescence Microscope

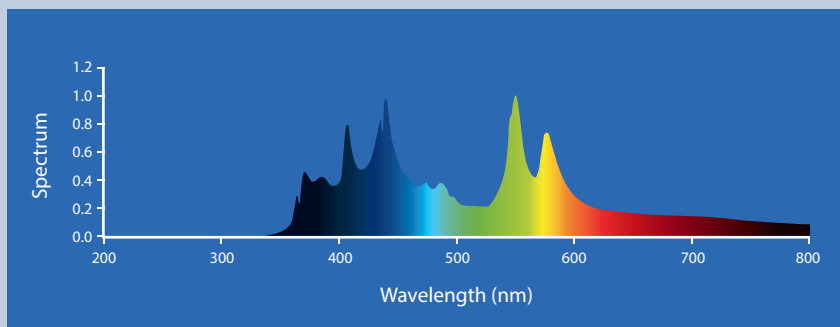


Specification

Illumination system includes	Pre-aligned Metal Halide Lamp, power cord, and operation manual; optional liquid light guide with fluorescence microscope adaptor/collimator.
Lamp	Proprietary 130 W metal halide Short Arc
Lamp life	3,000 hours typical*
Power	100 - 240V AC, 50/60 Hz
Wamp-up period	90 seconds (typical)
Panel controls	Power on/off, intensity adjustment
Panel displays	Accumulated lamp usage, lamp status indicators
Dimensions (HxWxL)(cm)	22 x 13 x 36.5
Weight (Kg)	5.5
Warranty	2 years (excluding lamp and liquid light guide)
Liquid light guide (Optional)	1.2 M liquid light guide, Ø5 mm
Adapter/Collimator (Optional)	Compatible with wide-field fluorescence microscopes from all major manufacturers

*The average engineering test method is used to measure the life of the lamp and it does not represent a product warranty. Consult your authorized product distributor for lamp warranty details.

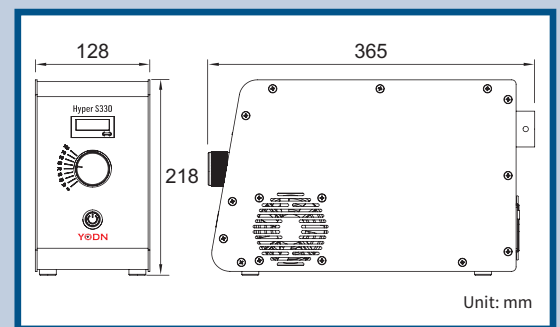
Spectrum



Accessories & Setup Illustration



Dimensions



YODN Lighting Corp.

6F, No. 1, Creation Rd. II, Science-Based Industrial Park,
Hsin-chu City, 30077 Taiwan

TEL: +886-3-563-7218

FAX: +886-3-579-4581

Email: sales@yodnlighting.com



YODN WeChat



YODN Facebook