

# Hemera E200

## LED AOI Light Source

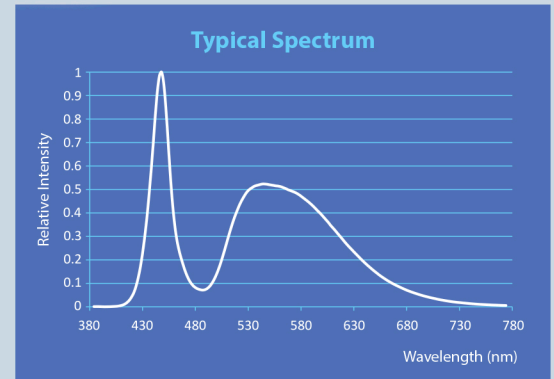


### Specification

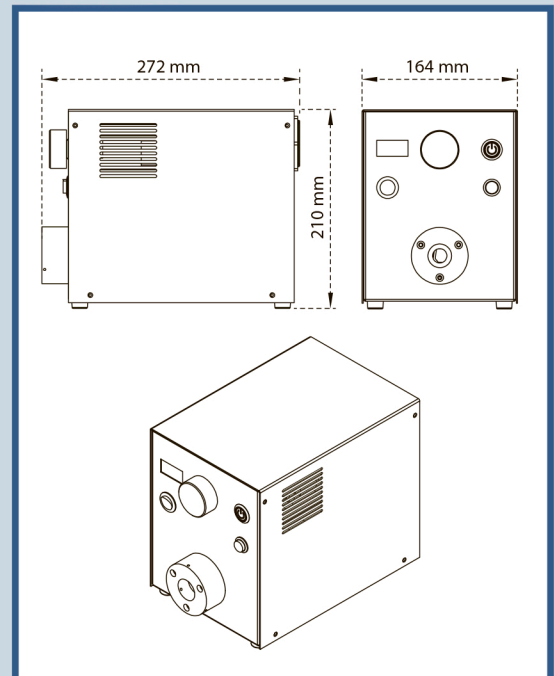
Model name	Hemera E200
Input voltage	100 - 120 VAC, 50/60 Hz
Luminous flux of LED/lamp device	3600 lm maximum (Output approximately 2500 lm)
Power consumption (at maximum illuminance)	Approximately 150 W
Operating environment (No condensation)	Temperature: 5°C to 40°C Humidity: 20% to 80%
Dimming range	2% to 100% (6-255)
Illuminance control	Manual: Manual dimming knob bit digital signal control
Color filter changer system	6 colors: W, R, G, B, Y & Dimming
Bit digital illuminance control mode	8 bit: 256 levels
Error output signal	LED abnormal high temperature signal/ Box temperature error signal
Attachable light guide	Fiber of Ø8 to 14/Ferrule size selectable
LED replacement	Available by Send-Back or replacement by engineers of distributor
Lifetime*1	Approximately 30,000H
Dimensions (WxDxH) mm	165 x 230 x 210 (Excluding rubber legs, cap adaptor)
Weight	Approx. 7 Kg

\*1: Calculated value at light output decrease to 50%.

### Spectrum



### Dimensions



### YODN Lighting Corp.

6F, No. 1, Creation Rd. II, Science-Based Industrial Park,  
Hsin-chu City, 30077 Taiwan

TEL: +886-3-5637218 FAX: +886-3-5794581

Email: [sales@yodnlighting.com](mailto:sales@yodnlighting.com)



YODN Facebook