

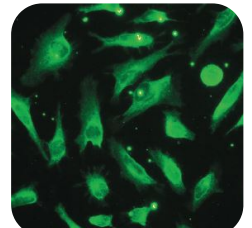


Introducing the new generation of light box for Nikon microscopes, Hyper EN-100

YODN Hyper EN-100 illuminator is a brand new light source specially designed for fluorescence microscopes. Our illuminator equips the best LED light engine, produces spectra that can fulfill most research lighting demands with its broadband spectra design methodology. It helps you conduct your works easily in an energy efficient way. It produces spectrums from 365~700nm by latest LED technology, a true broadband illuminator that can support different fluorescence excitation, such as DAPI, GFP/FITC, mCherry/Texas Red. Besides, the LED long life characteristic makes you never worry about the bulb replacement.

YODN Hyper EN-100 is the most cost effective choice for fluorescence microscope research.

HYPER EN-100



Broadband Excitation Illuminator for Fluorescence Microscope



Features And Advantages

1. LED Light source-
Eco-friendly design, long life, instant on/off, stable light output, and free light bulb change.
2. Broadband spectrum -
Broadband spectrum (365~700nm), sufficient to use in all research occasions related to fluorescence, such as DAPI, GFP/FITC, mCherry/Texas Red.
3. Simple operation-
Easy operation with power on/off and intensity control.
4. Low photo-bleaching rate-
LED cold light used : increase the fluorescence cell sample survival rate.
5. Reverse light output with liquid light guide -
Small light engine and liquid light guide design, perfect for research laboratories with limited space.
6. Custom thermal system for LED light engine-
Custom designed thermal system effectively control the light engine/illuminator at the best operation temperature ensure the illuminator performs at best conditions.



HYPER EN-100

Wide-Field Excitation Illuminator For Fluorescence Microscope

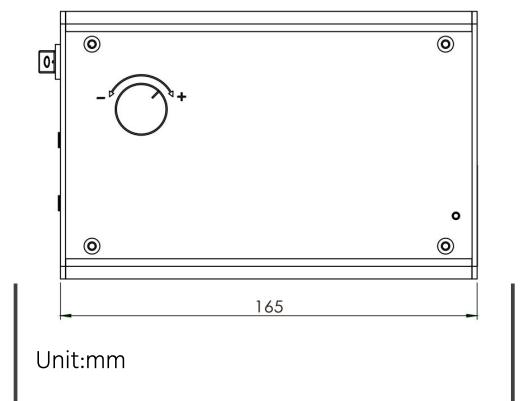
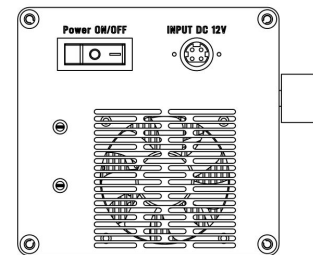
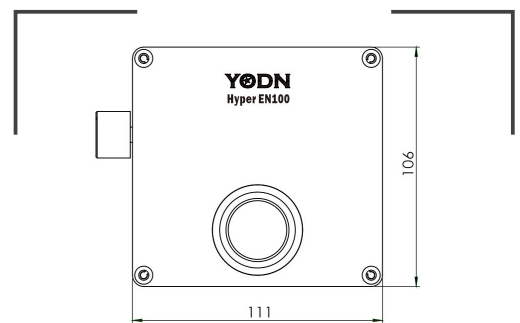


Specification

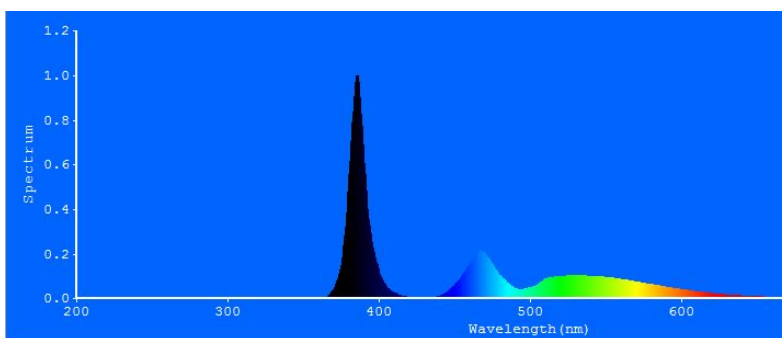
- Wavelength range:365-700 nm
- LED peaks/FWH: 385/20 nm, 475/40 nm,560/80 nm
- External power supply: Universal input 100-240VAC ,50/60 Hz
- Power consumption:50W
- LED on/off response time:1 ms
- LED expected life:>=25000 hours
- Controller:
 - ON/OFF
 - LED intensity adjustment (all channel)
- Dimensions (mm):
 - Illuminator :111*106*165
 - Power supply: 67*167*35
- Weight Approx:2Kg(including power supply)
- Warranty:Illuminator 24 Months
- *385nm can be changed to 365nm,405nm,made by order.



Dimensions



Spectrum



Contact Us

YODN Lighting Corp.

6F, No. 1, Creation Rd. II, Science-Based Industrial Park, Hsin-chu City, 30077 Taiwan
 TEL: +886-3-563-7218
 FAX: +886-3-579-4581
 Email: sales@yodnlighting.com



More Info



WeChat



Twitter



official website