



### FEATRUES & BENEIFTS

#### ■ LED light source:

Energy-saving and power-saving, significantly improving the problem of multi-metal light decay, and the light source is more stable.

#### ■ Lifespan:

Greater than 30,000 hours, which is 14 times longer than traditional multi-metal light bulbs.

#### ■ Multi-color filter:

Can be used according to user needs to expand the range of colors (up to 4 colors) supported.

#### ■ Easy installation:

Can be directly replaced in the lightbox without any changes needed.

#### ■ Wide range of applications :

400W high power can directly replace the light source box (250W&350W) of Marco giant inspection machine, support remote control.



### Specification

#### ■ Model type: Hemera E400

#### ■ External power supply: Universal input

AC100- 240V;50Hz/60Hz,

共用 220VA

#### ■ LED

1.White LED(7500K)

2.LED Expeced Life:Approx. 25,000 Hrs

3.At 25°C ambient temperature,

LED light fades to 70% of initial intensity with average use

hours (Not guaranteed)

#### ■ Light intensity: Initial > 7000 lx

#### ■ Function

1. Manually adjust the intensity arbitrarily

2.D-SUB 9Pin Remote turn on/off light function

3.LED over-temperature protection device

#### ■ Operating ambient temperature: 10°C ~ 40°C

■ Relative humidity: < 80%RH (at 25°C) no condensation

#### ■ Power consumption: Approx. 400W

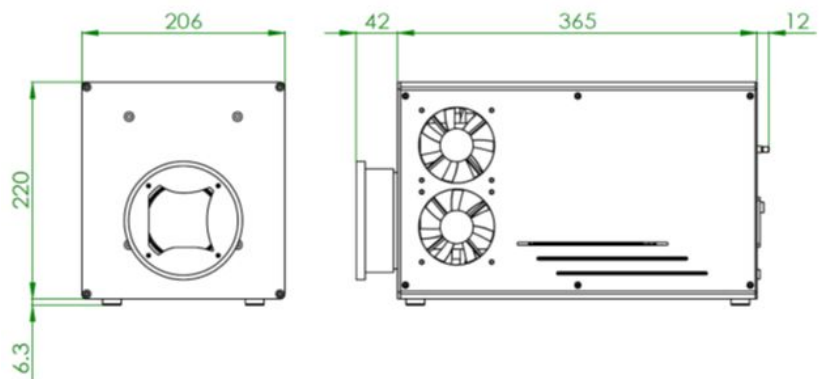
#### ■ Dimensions (mm): 206W × 220H × 365L

(Excluding protrusions)

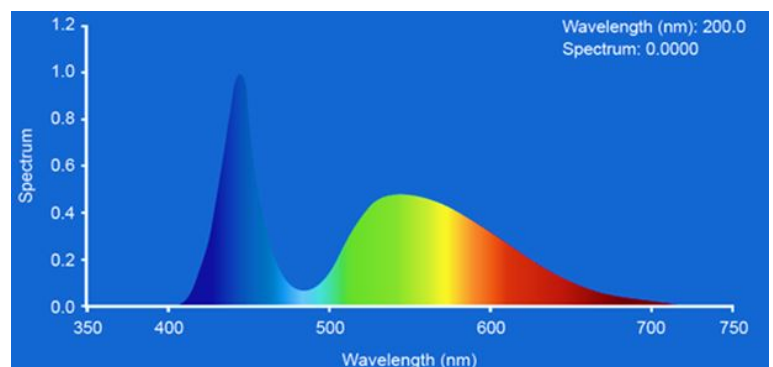


### Dimensions

uni:mm



### Spectrum



YODN Lighting Corp.

6F, No. 1, Creation Rd. II, Science-Based Industrial Park,  
Hsin-chu City, 30077 Taiwan

TEL: +886-3-563-7218

FAX: +886-3-579-4581

Email: sales@yodnlighting.com



Official website



YODN WeChat



YODN Facebook