



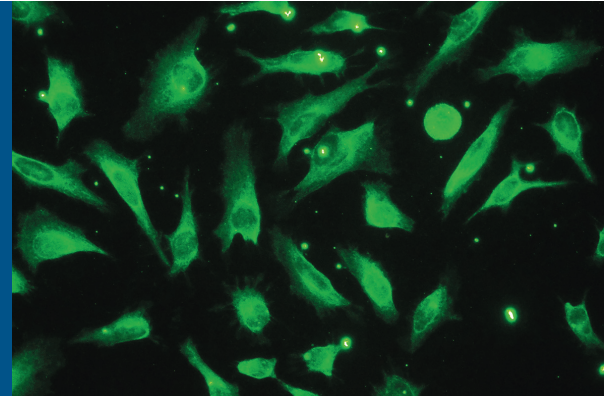
You refine the best research works; we offer the best lighting options to assist you achieve goals.



YODN, a special lighting company, proudly announces the introduction of the LED illuminator product, designed specifically for fluorescence microscopes, YODN Hyper E301. The illuminator equips the best LED light engine, produces spectrums that can fulfill most of the research lighting demands with its wide-field spectrums design methodology. Regardless you are a researcher or a microscopist, Hyper E301 helps you conduct your works easily in an energy efficient way. YODN Hyper E301 illuminator successfully adapts the latest LED technology, remarkably produces spectrums from 350 nm to 650 nm, a true wide-field illuminator that can support different fluorescence excitation, such as DAPI, GFP/FITC, mCherry/Texas Red, Cy3, and more. Both manual and automatic digital programming control are seamlessly integrated in Hyper E301, offer the users easy, yet flexible operation options. Better yet, the LED technology long life characteristic makes Hyper E301 an almost maintenance free equipment, no more light bulb changes. YODN Hyper E301 is the best choice for fluorescence microscope applications.

Hyper E301

Wide-Field Excitation Illuminator for Fluorescence Microscope



Features

Benefits

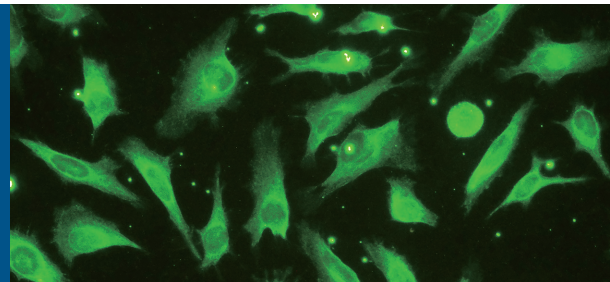
LED light source	Ecofriendly design, long life, instant on/off, stable light output, and no light bulb change.
Wide-Field spectrum	Wide-Field Spectrum (350 nm ~ 700 nm), sufficient to use in all research occasions related to fluorescence, such as DAPI, GFP/FITC, mCherry/Texas Red, and Cy3 excitation.
Simple operation user interface	Easy operation and programmable; clear status display on OLED display.
Low photo-bleaching rate	LED cold light used; increases the fluorescence cell sample survival rate.
Reverse light output with liquid light guide	Small light engine and liquid light guide design, perfect for research laboratories with limited space.
Custom designed thermal system for LED light engine	Custom designed thermal system effectively control the light engine/illuminator at the best operation temperature to ensure the illuminator performs at best conditions.

Hyper E301

www.yodnlighting.com

Hyper E301

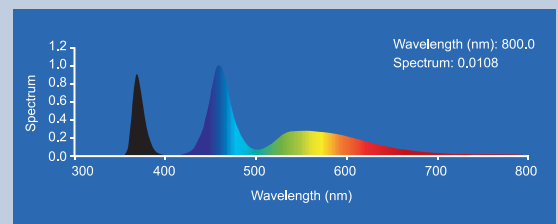
Wide-Field Excitation Illuminator for Fluorescence Microscope



Specification

Wavelength range	350 ~ 650 nm
LED peaks/FWHM	365/20 nm, 460/40 nm, 560/80 nm
External power supply	Universal input 100-240 VAC, 50/60 Hz
Power consumption	Approx. 65W
LED on/off response times	1 ms
Panel control	On/Off, 1% intensity increment
Dimensions (WxDxH) mm	128 x 338 x 210 (Excluding rubber legs, cap adaptor)
Weight	Approx. 5 Kg
Warranty (LEDs)	Illuminator: 24 Months

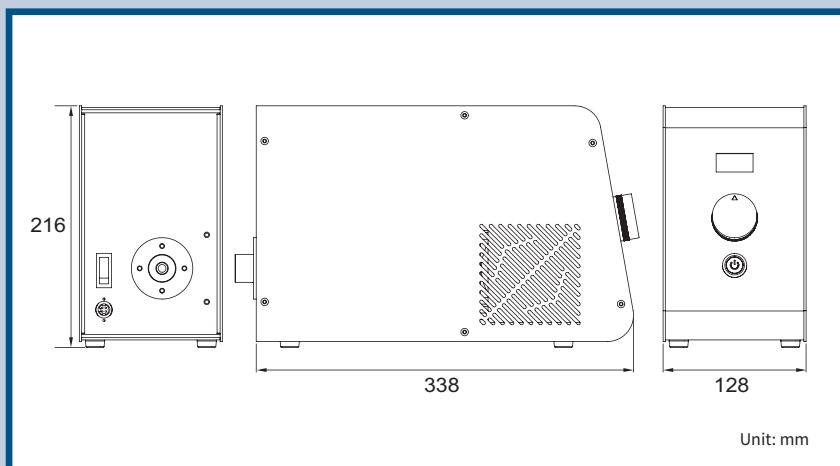
Spectrum



Accessories & Setup Illustration



Dimensions



YODN Lighting Corp.

6F, No. 1, Creation Rd. II, Science-Based Industrial Park, Hsin-chu City, 30077 Taiwan

TEL: +886-3-563-7218

FAX: +886-3-579-4581

Email: sales@yodnlighting.com



YODN WeChat



YODN Facebook