

Hyper E740

Broadband Excitation Illuminator for Fluorescence Microscope



PRODUCT DESCRIPTION

Introducing the new generation of lighting box , Hyper E740. It increases the intensity of LED light source (22% ~ 143% or more) from our pervious model.

YODN Hyper E740 illuminator is a brand new light source specially made for fluorescence microscopes. Our illuminator equips the latest LED light engine, produces spectrums that can fulfill most of the research lighting demands with its broadband spectrums design methodology. It helps you conduct your works easily in an energy efficient way. It produces spectrums from 350nm to 650 nm by our latest LED technology, a true broadband illuminator that can support different fluorescence excitation, such as DAPI, GFP/FITC, mCherry/Texas Red, Cy5 (or Cy7), and more. Both manual and automatic digital programming control are integrated in Hyper E740, offer the users easy, flexible operation options. Best of all, the LED long life characteristic frees the users from bulb replacement and maintenance.

YODN Hyper E740 is the best choice for fluorescence microscope researches.

FEATURE & BENEFITS

-LED LIGHT SOURCE

Eco-friendly design, long life, instant on/of, stable light output

-BROADBAND SPECTRUM

Broadband spectrum(350nm~650 nm) ,sufficient to use in all research occasions related to fluorescence, such as DAPI, GFP/FITC, ucient Mcherry/TexasRed, and Cy5 excitation (or Cy7 optional)

-SIMPLE OPERATION

Use smart control pad or remote control(TTL) to switch your LED intensity/channel easily.

-LOW PHOTO-BLEACHING RATE

LED cold light used;increase the fluorescence cell sample survival rate.

-CUSTOM THERMAL SYSTEM FOR LED LIGHT ENGINE

Control the light engine/illuminator at the best operation temperature and performance.

-SUPPORT MULTIPLE DIGITAL CONTROL

Easy switch between manual control or auto program operation (USB/TTL). Users can see each LED intensity, temperature, usage hours on the display (30*15 mm)

-SUPPORT REMOTE OFF-SITE CONTROL

Use the USB interface or TTL to connect the illuminator with a personal computer, and observe the research progress in a remote location.

TTL: on / off (BNC)

PC control:on/off , 1% intensity adjustment (USB B-type)

Hyper E740

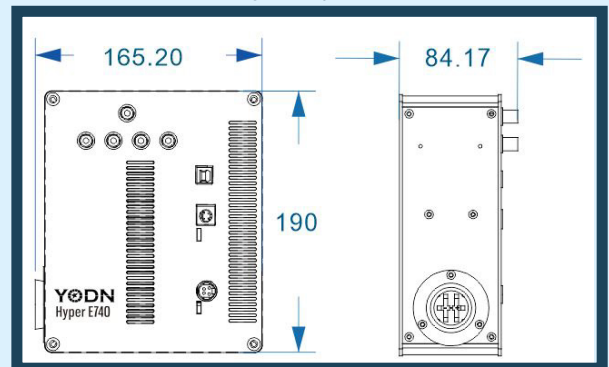
Broadband Excitation Illuminator for Fluorescence Microscope



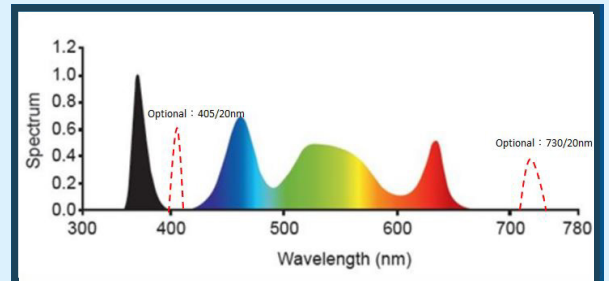
PRODUCT SPECIFICATION

- Wavelength range:350~650 nm
- LED peaks/FWH:365/20nm.460/40nm.560/80nm. 630nm/20nm(Optional 405/20nm.730/20nm)
- External power supply:Universal input 100-240VAC 50/60 H
- Power consumption:75W
- LED on/off respons:20 ms
- Controller
 - 1.ON/OFF
 - 2.LED intensity control 10-100%
 - 3.Color separation output control
- External control:TTL Trigger & PC control (RS232 command /USB B-type connector)
- Dimensions (mm) Illuminator : 84*190*165
Controller : 133*80*35
Power supply :67*167*35
- Weight:Approx. 2.7 kg (including power supply, controller)
- Warranty Illuminator : 24 Months
- Main usage mod Direct coupling
- Option 1.5M/φ3 mm liquid light guide/ Adaptor, collimators, digital I/O interface card
- Certifications CE(TBA)

DIMENSIONS (MM)



SPECTRUM



ACCESSORIES



Standard Accessories
(choose one)



Optional



Adapter
Liquid Light Guide



Collimator



Digital I/O
Interface Card

YODN Lighting Corp.

6F, No. 1, Creation Rd. II, Science-Based
Industrial Park, Hsin-chu City, 30077 Taiwan

TEL: +886-3-563-7218

FAX: +886-3-579-4581

Email: sales@yodnlighting.com



OFFICIAL
WEBSITE



WECHAT



FACEBOOK