



Introducing the new generation of light box, Hyper E630.

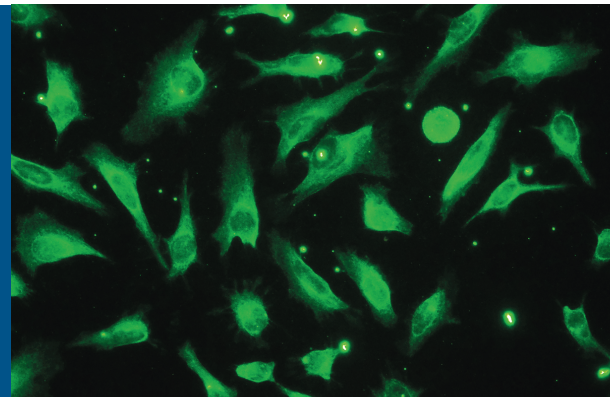
YODN Hyper E630 illuminator is a brand new light source specially made for fluorescence microscopes. Our illuminator equips the best LED light engine, produces spectrums that can fulfill most research lighting demands with its broadband spectrums design methodology. It helps you conduct your works easily in an energy efficient way. It produces spectrums from 350nm to 600 nm by latest LED technology, a true broadband illuminator than can support different fluorescence excitation, such as DAPI,GFP/FITC, mCherry/Texas . Besides, the LED long life characteristic makes you never worry about the bulb replacement.

YODN Hyper E630 is the most cost effective choice for fluorescence microscope researches.



# Hyper E630

## Broadband Excitation Illuminator for Fluorescence Microscope



### Features

### Benefits

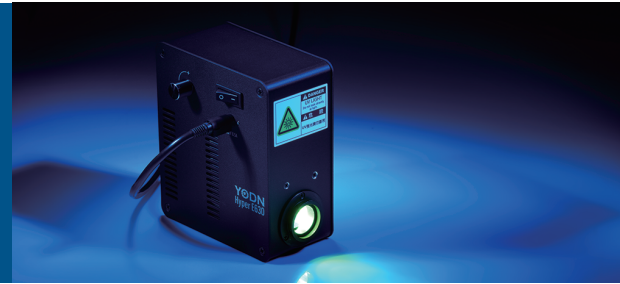
LED Light source	Eco-friendly design, long file, instant on/off, stable light output, and free light bulb change.
Broadband spectrum	Broadband spectrum (350~600nm), sufficient to use in all research occasions related to fluorescence, such as DAPI, GFP/FITC, Mcherry/Texas Red.
Simple Operation	Easy operation with power on/off and intensity control.
Low photo-beaching rate	LED cold light used : increase the fluorescence cell sample survival rate.
Reverse light output with liquid light guide	Small light engine and liquid light guide design, perfect for research laboratories with limited space.
Custom thermal system for LED light engine	Custom designed thermal system effectively control the light engine/illuminator at the best operation temperature ensure the illuminator performs at best conditions.

# Hyper E630

[www.yodnlighting.com](http://www.yodnlighting.com)

## Hyper E630

### Broadband Excitation Illuminator for Fluorescence Microscope

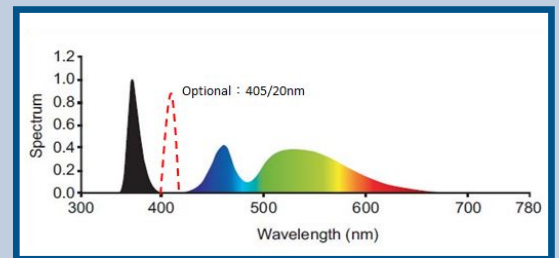


#### Specification

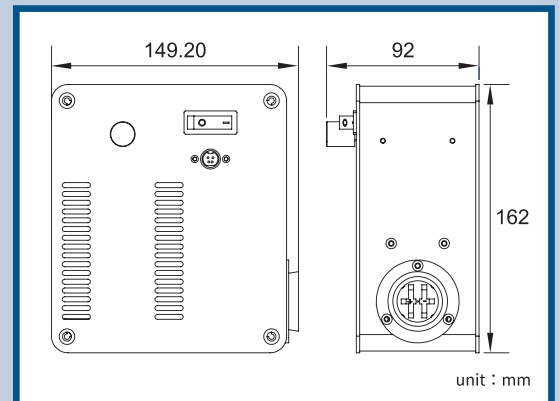
Wavelength range	350~600nm
LED peaks/FWHM	365/20 nm 、 460/40 nm 、 560/80 nm (Optional : 405/20nm)*
External power supply	Universal input 100-240VAC, 50/60 Hz
Power consumption	60W
LED on/off response times	20 ms
LED expected life	25000 hours
Control pad	On/off;LED intensity control 10% - 100%(All channel)
Dimensions (mm)	illuminator:150*162*92 Power adapter:72*175*35
Weight	Approx. 1.9 kg (including powersupply)
Warranty	Illuminator:24 months
Standard configuration	illuminator, Power supply
Optional	1.5M long, 3mm LLG/Attachment,collimators
Certifications	CE(TBA)

\*365nm can be changed to 405nm : made by order.

#### Spectrum



#### Dimensions



#### Configuration & Accessories Illustration

**Standard configuration**

Adaptor: Leica, Nikon, Evident (Olympus), Zeiss, Motic

**Optional**

Liquid light guide/ Attachment + Collimator: Leica, Nikon, Evident (Olympus), Zeiss, Motic

#### YODN Lighting Corp.

6F, No. 1, Creation Rd. II, Science-Based Industrial Park, Hsin-chu City, 30077 Taiwan

TEL: +886-3-563-7218

FAX: +886-3-579-4581

Email: sales@yodnlighting.com



YODN Official Web



YODN WeChat



YODN Facebook